



# Fasep Wheel Balancer

# Fasep Wheel Balancer

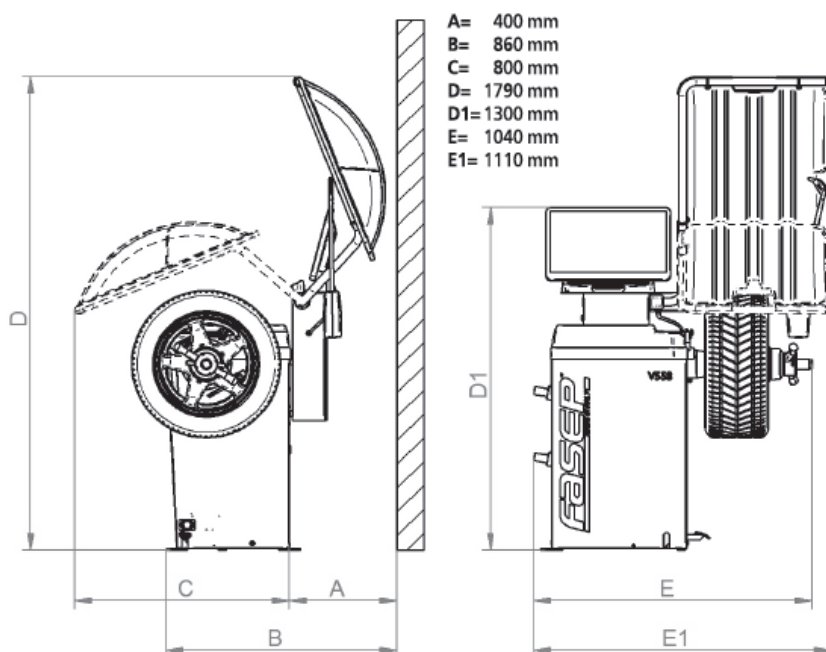
## Model: V558

### Brand: Fasep

### Origin : Made in Italy



Technical Features	
• Power Source	220V 50-60Hz 1Ph
• Motor Power	50W
• Power Source	400W
• Balancing Speed	98RPM
• Rim Diameter	8" (200mm)-26" (650mm)
• Rim Diameter (Alu-s)	8"-23"
• Wheel Diameter (Max) with Wheel Guard	34" (850mm)
• Rim Width (Max) with Wheel Guard	16" (415mm)
• Wheel Weight (Max)	90kg (198 Lbs)
• Measuring Time	8-15s
• Accuracy	1gr
• Angular Accuracy	256 Divisions (Accuracy = 1,4deg)
• Monitor	LCD SVGA 17"
• Noise	<70dB (A)




**Note:**


- Above all picture for reference only
- Any changer/alterations of the technical features /specification and appearance of the above products are subject to change (if the manufacturer thinks necessary) without notice given by our company.




**LATEST AUTOMOTIVE TECHNOLOGY SDN.  
BHD. 200401037132(675643-X)**

 No.50&50-A, Jalan Seri Rama, Taman Muzaffar Shah,  
Ayer Keroh, 75450 Melaka, Malaysia.

 +606-232 8991(Tel)

 +6016-663 3131 +6019-662 8632

 +606-232 3998

 office@latest.com.my