



Small Platform Double Scissor Lift

Small Platform Double Scissor Lift

Model: GC-3.5S

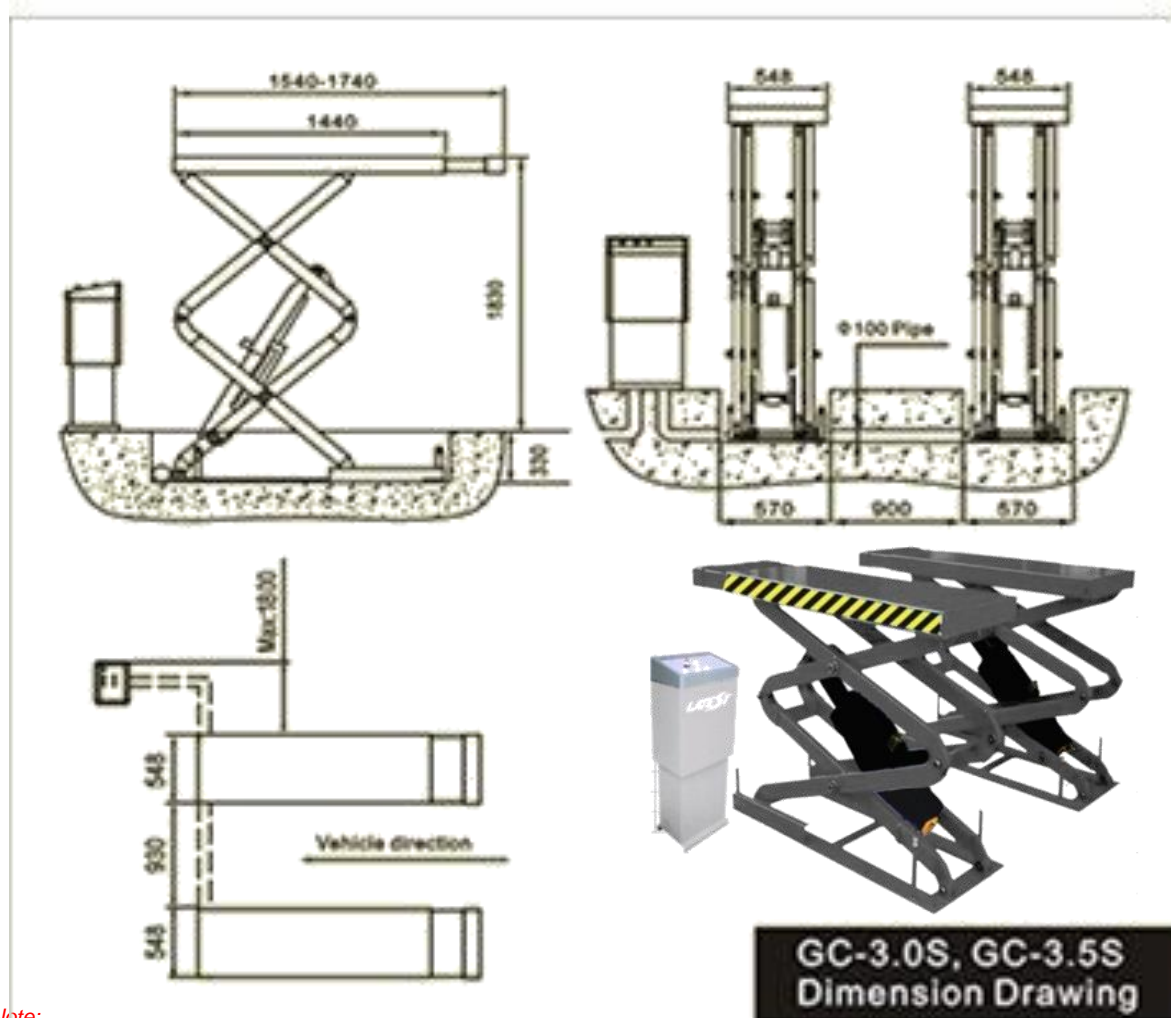
Brand : Latest

(c/w standard accessories)

Specifications	
• Power supply	• 415V/3PH or 220V/1PH
• Gas Supply	• 6-8Bar
• Power	• 2.2KW
• Lifting Capacity	• 3.5T
• Lifting Height	• 330-2160mm

Features:

- In ground installation
- Low voltage control (24V)
- With antiknock valve and safety valve to ensure the safety
- Perform stable and reliable relying on some imported components
- With extension on top plate to suit for various types of vehicle
- Optional to choose SUV adpater to be special for SUV vehicles




Note:


- Any changer/alterations of the technical features /specification and appearance of the above products are subject to change (if the manufacturer thinks necessary) without notice given by our company.




**LATEST AUTOMOTIVE TECHNOLOGY SDN.
BHD. 200401037132(675643-X)**

 No.50&50-A, Jalan Seri Rama, Taman Muzaffar Shah,
Ayer Keroh, 75450 Melaka, Malaysia.

 +606-232 8991(Tel)

 +6016-663 3131 +6019-662 8632

 +606-232 3998

 office@latest.com.my